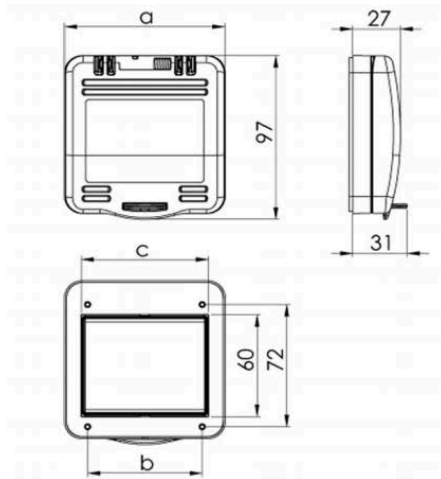


Inspection Window IP54 - 9006504



Modules	a (mm)	b (mm)	c (mm)	Weight
4	92	65	72	97

Technical data:

- » especially compact design, made of shock-resistant polycarbonate
- » for distributor's construction, O.E.M's panel builders, etc.
- » self-closing window
- » bearing by means of double hinges
- » angle of vee > 180°
- » mounting frame made of shock-resistant polycarbonate with integrated gasket for flange mounting
- » all metal parts corrosion-resistant
- » transport and installation protection of the window with peel back foil
- » integrated free position for lead seal
- » window holder included
- » Protection degree IP54



Dokument/document		Utgava datum/edition date
Försäkran om överensstämmelse/ Declaration of conformity		2016-06-08
Avdelning/department Kvalite/Quality		
Ansvarig/prepared Magnus Arvidsson	Version 3	Sida/page 1 av/of 1

Supplier/Tillverkare: *GARO AB*
Box 203
S-335 25 GNOSJO Telephone: +46 (0)370 33 28 00
Sweden Telefax: +46 (0)370 33 28 50

Supplier established within EU/Ombud etablerad inom EG

Supplier of equipment /Materielslag : Consumer unit/Normcentral

Trade Mark/ Varumärke: GARO

Type Designation / Typbeteckning: G... , GN...,GM..., NUM ... , NIM ... , NUM.GM ... , NUM.GT ... , NUM.L ..., NEM .. , NCI..., NCID ... , NCU ... , NCUP ... and / och GCUT

We hereby declare that our product fulfils the requirements of following EC directives/
Vi intygar härmed att vår produkt uppfyller krav enligt följande EU direktiv:

- The Low Voltage Directive (LVD) 2014/35/EU /Lågspänningsdirektivet (LVD) 2014/35/EU.
- Electromagnetic compatibility (EMC) 2004/108/EU /Elektromagnetisk kompatibilitet (EMC) 2004/108/EG.
- RoHS Directive (RoHS) 2011/65/EU /RoHS direktivet (RoHS) 2011/65/EG.
- No electromagnetic compatibility (EMC) immunity or emission tests are required on the assembly/
Produkten innehåller inte elektroniska apparater som påverkas enligt förbehållen enligt direktivet (EMC) 2004/108/EG.

The following harmonised standards (latest edition) or technical specifications which comply with good engineering practice in safety matters in force within the EU have been used in the design:/
Följande harmoniserade standarder (senaste utgåva) eller tekniska specifikationer som uppfyller god säkerhetsteknik praxis inom EG har använts i konstruktionen: SS EN 61439-1-3

The equipment conforms completely with the above stated harmonised standards or technical specifications./
Materielen överensstämmer helt med ovan angivna harmoniserade standarder eller tekniska specifikationer.

Or/eller

- The equipment confirms only partially with the above stated harmonised standards or technical specifications but complies with good practice in safety matters in force within the EU./
Materielen överensstämmer endast delvis med ovan angivna harmoniserade standarder eller tekniska specifikationer, men uppfyller god säkerhetsteknik praxis inom EG.

We have product surveillance according to CENELEC's harmonised requirements, documents CCA-201.

Garö AB
Company/Företag

2016-06-18
Date/Datum

Sign/Underskrift

Environmental- and Quality Manager/Kvalitets- och Miljöchef
Position/Befattning

Magnus Arvidsson
Name / Namnförtydligande