

**RFID GLB**

380180-2

Installation of RFID reader (EN)

**GARO®**


## TABLE OF CONTENTS

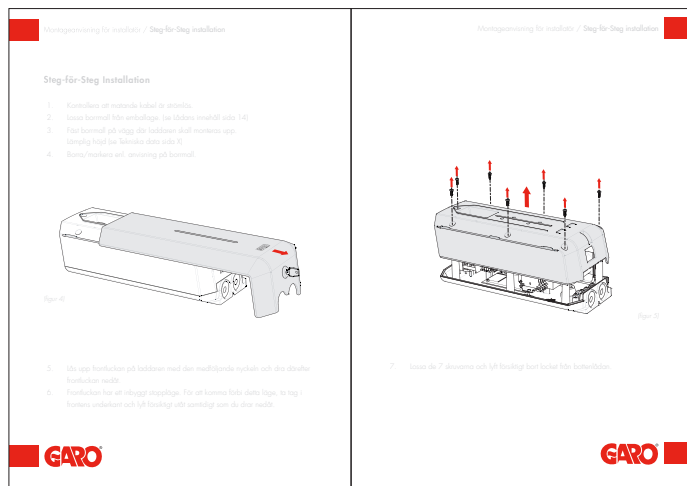
<b>Installation of RFID reader</b>	<b>5</b>
Disassembling the Wallbox	6
Installing the RFID reader	7
Connect RFID reader	8
Installing the Wallbox	9
Using RFID reader	10
Activating RFID reader	12
Deactivating RFID reader	12
Activating RFID tags	14
Deleting RFID tags	14

## INSTALLATION OF RFID READER

An RFID reader can be added alongside the GLB Wallbox, to be installed at a set location. It is connected to the wallbox's printed circuit board header labelled 'RFID' using the accompanying cable. The RFID reader can read RFID tags complying with Mifare 1K, 4K and Mifare Ultralight specifications. Once the RFID reader has been installed, 'Request RFID when connecting' is displayed on the Wi-Fi wallbox's website under 'Settings'.

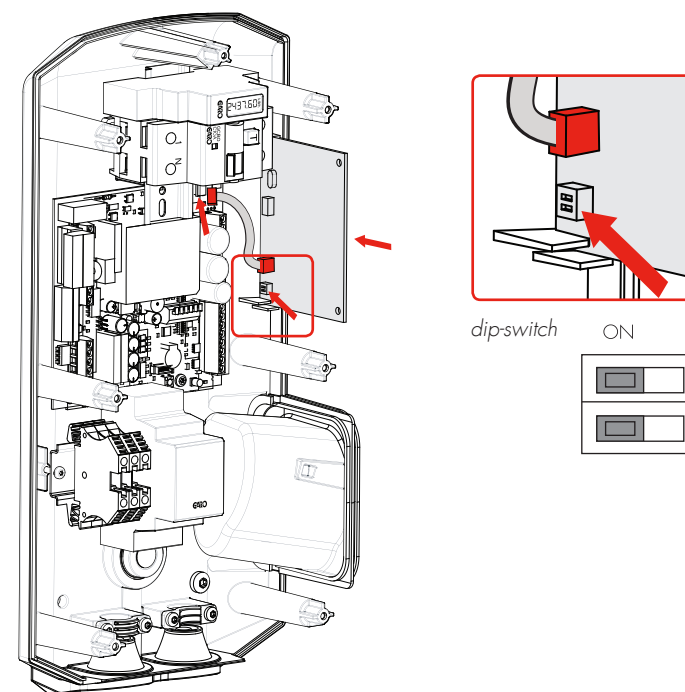
The RFID reader can be installed in an individual wallbox which has Wi-Fi connectivity. It can also be installed in boxes with or without Wi-Fi where the boxes are connected into a group, and at least one of them has Wi-Fi connectivity.

 The power supply to the wallbox must always be turned off when the RFID reader is installed.



## Disassembling the Wallbox

Begin by disassembling the front cover and cover as shown in the section entitled Assembly instructions for installer, under Step by step installation, in GLB main manual.

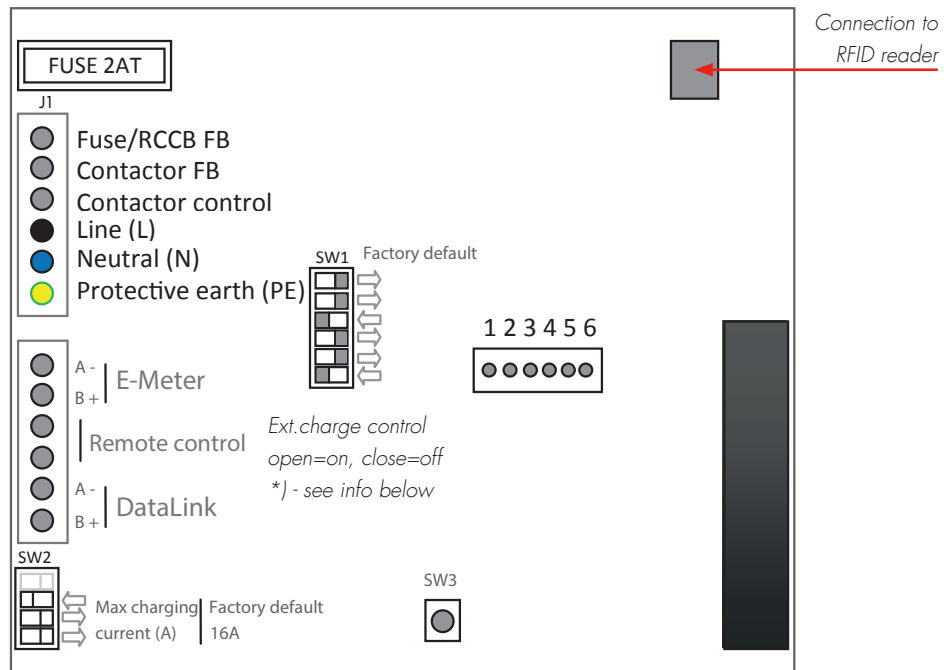


(figure 1)

## Installing the RFID reader

Install the RFID reader as shown in the image above. DIP switches should be set to ON mode.

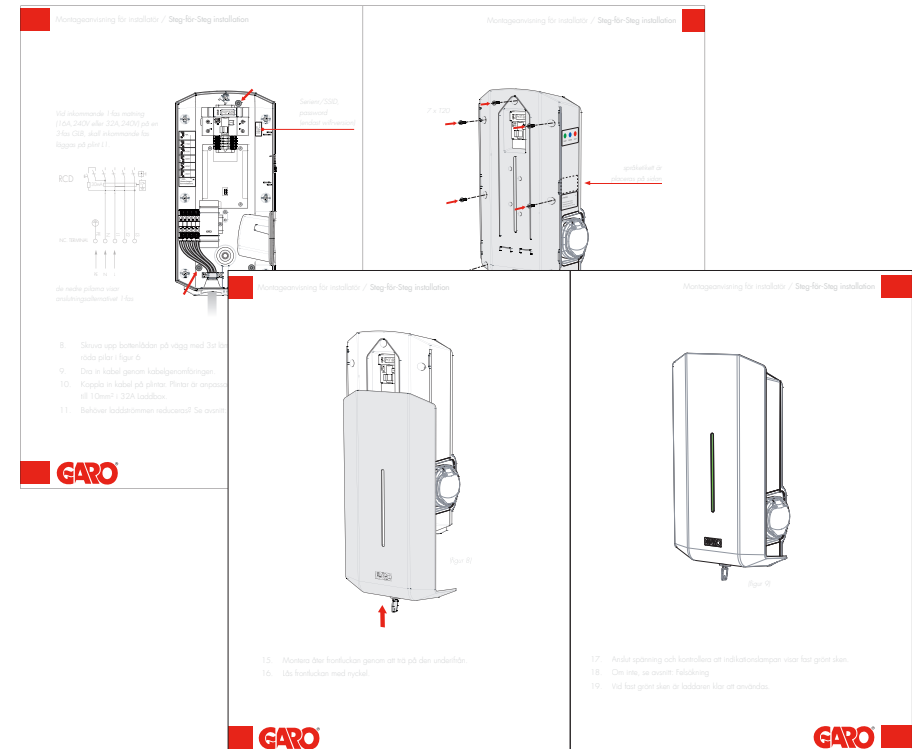
GLB mainboard



(figure 2)

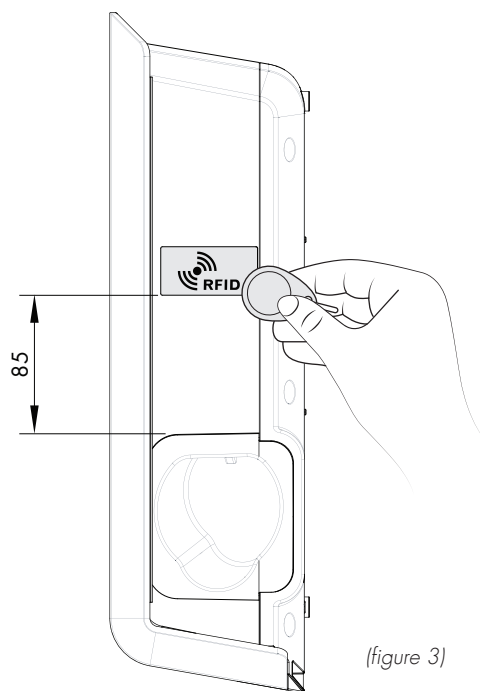
## Connect RFID reader

The RFID reader is connected to the wallbox's mainboard header labelled 'RFID' using the accompanying cable.



## Installing the Wallbox

Install the cover and front cover as shown in the section entitled Assembly instructions for installers, under Step by step installation, in GLB main manual.



### Using RFID reader

The RFID label is placed on the side, as show in the image above.

The RFID reader can read RFID tags complying with Mifare 1K, 4K and Mifare Ultralight specifications.

## Activating RFID reader

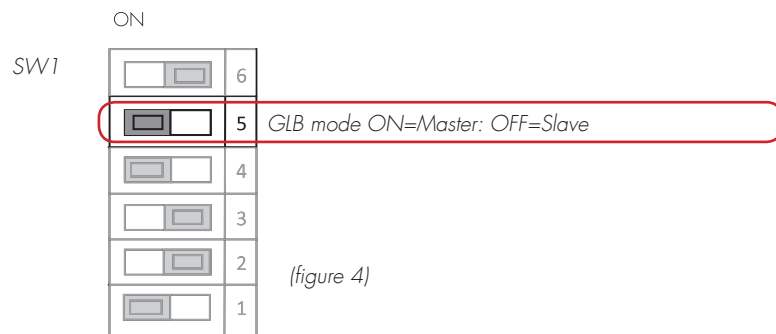
To activate the RFID reader, check the box labelled 'Request RFID when connecting' and click 'Save'. Note the checkbox is only visible when a RFID reader is installed.

### Activate RFID reader on individual GLB Wallbox

To activate RFID reader on a GLB Wallbox that is stand alone (not connected with other GLB Wallboxes), it is important to make the charger a master wallbox.

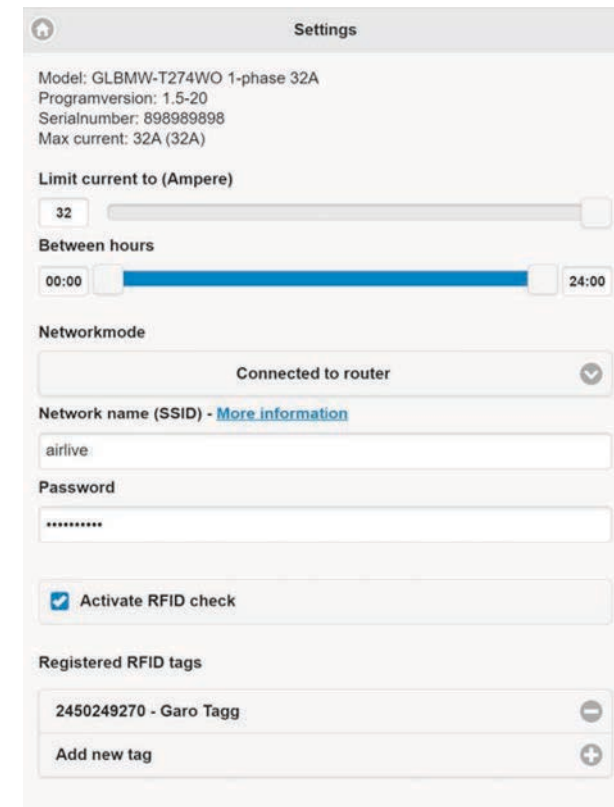
To verify that the master wallbox is defined as master, ensure the SW1 switch (DIP 5) is set to 'ON'.

Note: It is only possible to have one Master GLB in a system when connecting GLB Wallboxes with the datalink bus.



## Deactivating RFID reader

To deactivate the RFID reader, un-check the box labelled 'Request RFID when connecting' and click 'Save'.



(figure 5)

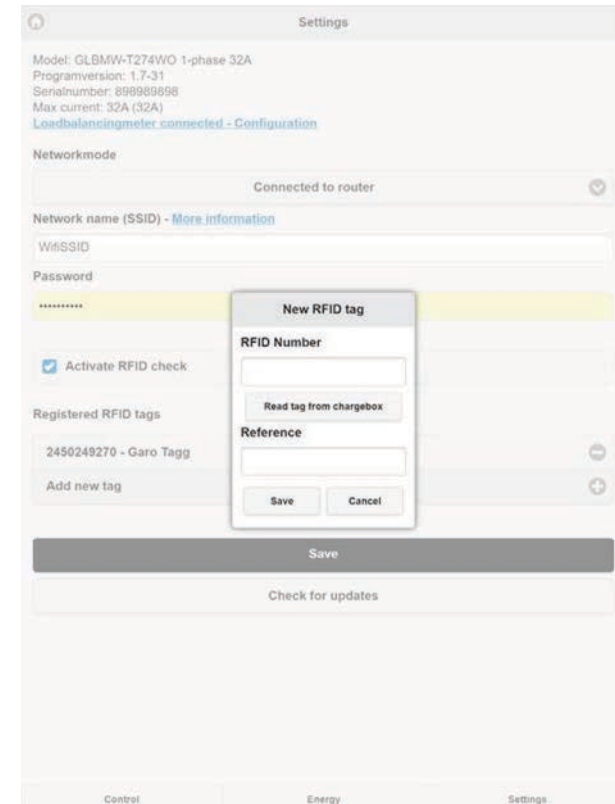
## Activating RFID tags

When RFID is activated, you can choose to 'Add a new tag'. You can now manually register the tag number in the 'RFID Number' field, and then click 'Save'. Alternatively, you can read the tag number by selecting 'Read tag from wallbox'. To read an RFID tag, hold it towards the RFID reader. The RFID tag number is automatically displayed in the 'RFID number' field. Then click 'Save'. The 'Reference' box is a free text field to be used for entering the name of the person using the tag, for example.

When RFID is activated, a registered RFID tag must be held out in order to activate the charger, after the vehicle has been connected. When the RFID reader is attempting to read an RFID tag, a ticking sound is emitted and the green light flashes quickly. The user has 30 seconds to read the RFID tag after having connected the vehicle. A rising three-tone signal is emitted when the tag has been read. If the tag is authorised, the charger will be activated. If the tag is unauthorised (not registered), a longer, block tone will be emitted and a red light indicated.

## Deleting RFID tags

To delete a registered RFID tag, click on the minus symbol to the right of the tag number and confirm that you wish to delete the tag.



(figure 6)





**GARO AB**

Box 203, SE-335 25 Gnosjö

Phone: +46 (0) 370 33 28 00

Fax +46 (0) 370 33 28 50

[info@garo.se](mailto:info@garo.se)

[garo.se](http://garo.se)

